

Driver \_\_\_\_\_ Track Surface \_\_\_\_\_ Track Temperature \_\_\_\_\_  
 Date \_\_\_\_\_ Track Traction \_\_\_\_\_ Result \_\_\_\_\_ Air Temperature \_\_\_\_\_  
 Track \_\_\_\_\_ Country \_\_\_\_\_ Best Lap \_\_\_\_\_ Humidity \_\_\_\_\_ Remark \_\_\_\_\_

## Front

Alu  
 Hard  
 Soft

mm  
mm  
Hex mm  
Spacer mm  
mm  
Sway Bar mm

Ride Height mm  
Camber \_\_\_\_\_

Toe \_\_\_\_\_  
Downstop mm

Spool  
 High Diff  
 Low Diff

Gear Diff  
Cst \_\_\_\_\_  
Weight \_\_\_\_\_

Carbon Plate  
 Hard  
 Soft  
 No

mm  
mm  
mm  
mm  
mm  
mm  
mm  
mm  
mm  
mm

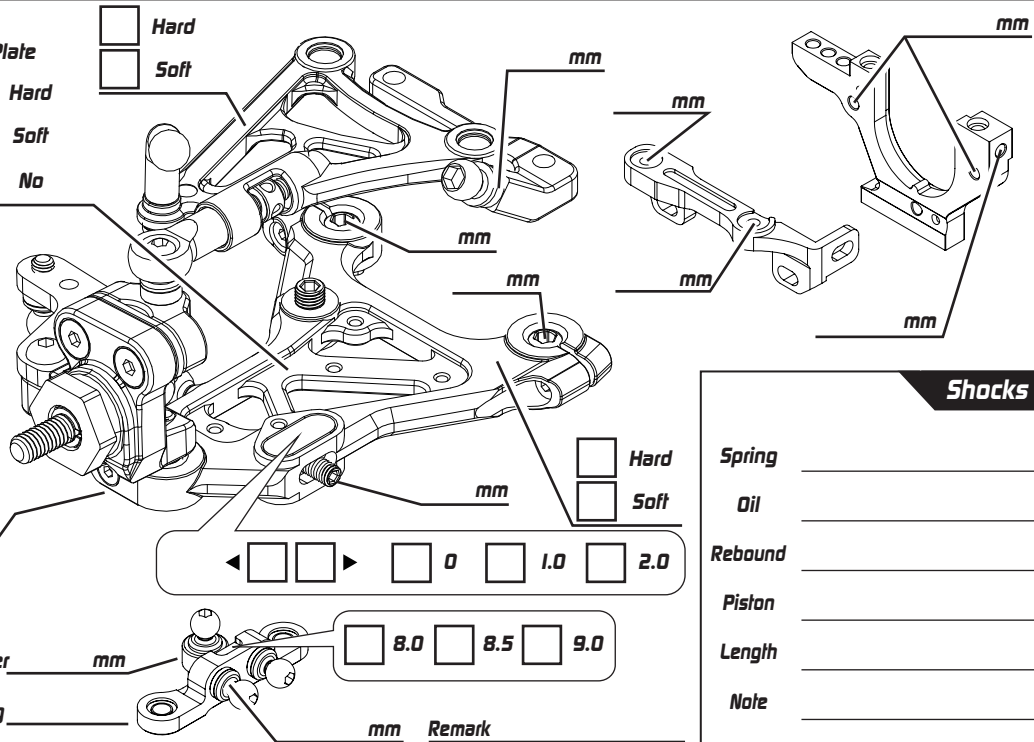
mm  
mm  
mm

mm  
mm  
mm  
mm  
mm

mm  
mm  
mm  
mm

Outer mm  
Steering \_\_\_\_\_

mm Remark



### Shocks

Spring \_\_\_\_\_  
 Oil \_\_\_\_\_  
 Rebound \_\_\_\_\_  
 Piston \_\_\_\_\_  
 Length \_\_\_\_\_  
 Note \_\_\_\_\_

## Rear

Alu  
 Hard  
 Soft

mm  
mm  
Hex mm  
Spacer mm  
mm  
Sway Bar mm

Ride Height mm  
Camber \_\_\_\_\_

Toe \_\_\_\_\_  
Downstop mm

High Diff  
 Low Diff

Gear Diff \_\_\_\_\_  
Cst \_\_\_\_\_  
Weight \_\_\_\_\_

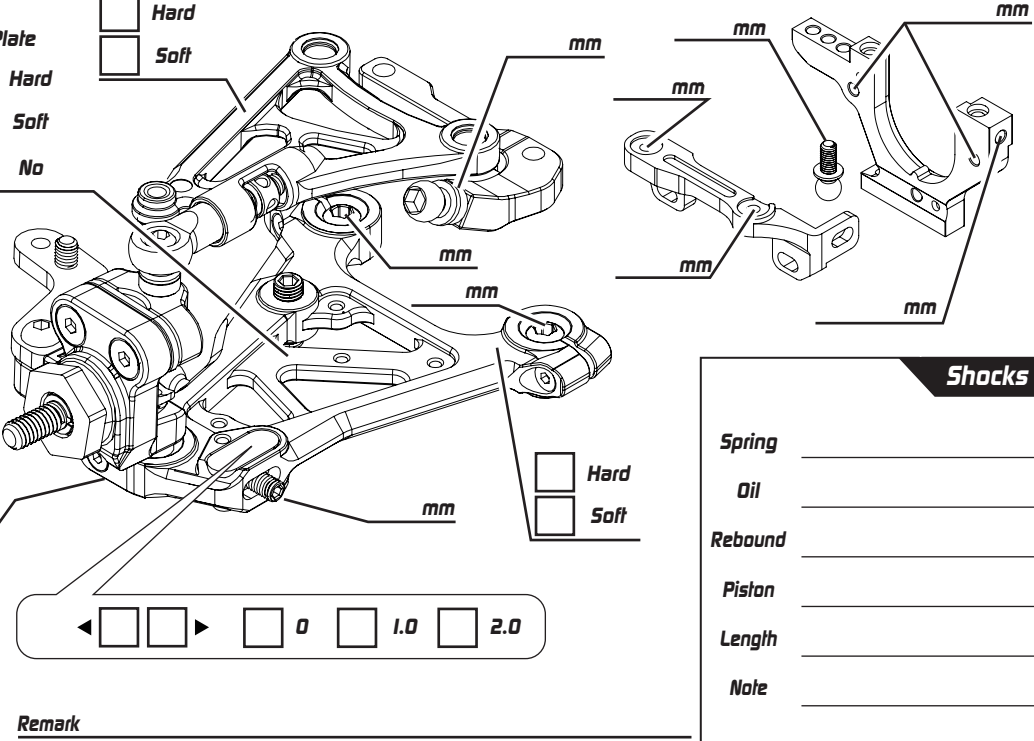
Carbon Plate  
 Hard  
 Soft  
 No

mm  
mm  
mm  
mm  
mm  
mm  
mm  
mm  
mm  
mm

mm  
mm  
mm  
mm  
mm

mm  
mm  
mm  
mm

Remark



### Shocks

Spring \_\_\_\_\_  
 Oil \_\_\_\_\_  
 Rebound \_\_\_\_\_  
 Piston \_\_\_\_\_  
 Length \_\_\_\_\_  
 Note \_\_\_\_\_

**Weight g**

**Battery** \_\_\_\_\_ **Body** \_\_\_\_\_

**Tires** \_\_\_\_\_ **Additive** \_\_\_\_\_

**ESC** \_\_\_\_\_ **Motor** \_\_\_\_\_ **Servo Horn Height mm** \_\_\_\_\_

**Weight g**

**Spur P/ T Servo** \_\_\_\_\_ **Weight g** \_\_\_\_\_

**Pinon P/ T FDR** \_\_\_\_\_

